

MURO™ | MODULAR ALUMINIUM FLOOD BARRIER



The modular flood barrier consists of stackable, hollow, reinforced aluminium body sections, placed within two U-shaped mounting devices within or in front of a door/gate opening, between walls, etc. The barrier sections are equipped with durable and easily-compressed seals. This flood barrier has already been used worldwide and has proven its effectiveness.

APPLICATIONS

- Protection of houses, commercial buildings, infrastructure, ...

BENEFITS

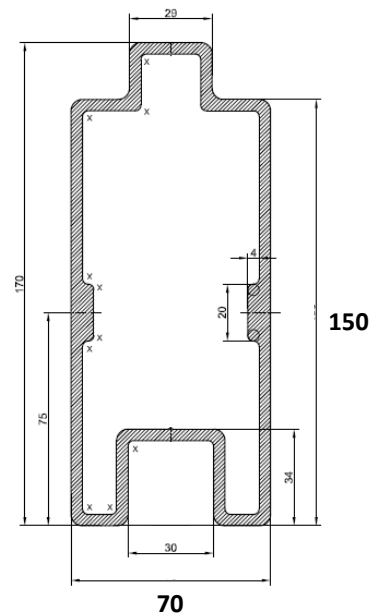
- Easy to assemble and disassemble
- With sunken handles for easy handling
- Extremely solid

FEATURES ALUMINIUM BEAMS

- 6082 alloy (suitable for marine environment), anodised 25 micron
- Protective height per beam; 150 mm
- Seals: EPDM
- Light weight (6 kg/m)
- Sections of up to 6 m in one piece possible. Connections with double U-posts make protecting larger areas possible.
- Conform SB 250-3-12.13.3

FEATURES MOUNTING PROFILES

- Aluminium EN WA-6082, anodised 25 micron
- Powdercoating in RAL colour optional



Tested under the supervision of WTCB; Scientific and Technical Centre for the Construction Industry (Belgium)

MURO™ | MODULAR ALUMINIUM FLOOD BARRIER

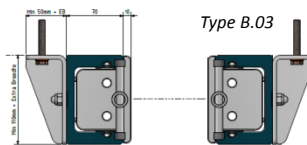
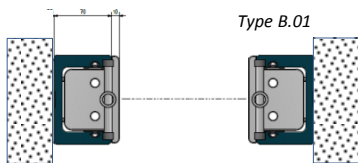
1. MOUNTING PROFILES (ALU 6082) - type C5



2. TYPES OF MOUNTING CONFIGURATIONS

▪ **Between the jambs**

▪ **In front of the jambs**



Stainless Steel 304 L-profile to be mounted on the wall

▪ **USER FRIENDLY -- two handgrips on every beam for easy handling**

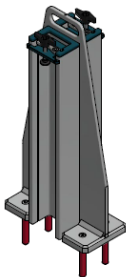


MURO™ | MODULAR ALUMINIUM FLOOD BARRIER

4. BARRIER WITH MULTIPLE SECTIONS - CONNECTED WITH REMOVABLE DOUBLE U-POST



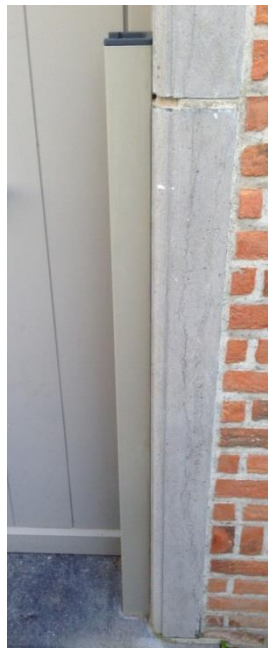
- Various combinations of length and height are possible
- Depending height the removable post might need to be attached to an anchor plate recessed in to the concrete floor
- Contact us for more information



⚠ With wheels to easily move the centre-post



MURO™ | MODULAR ALUMINIUM FLOOD BARRIER



MURO™ | MODULAR ALUMINIUM FLOOD BARRIER

